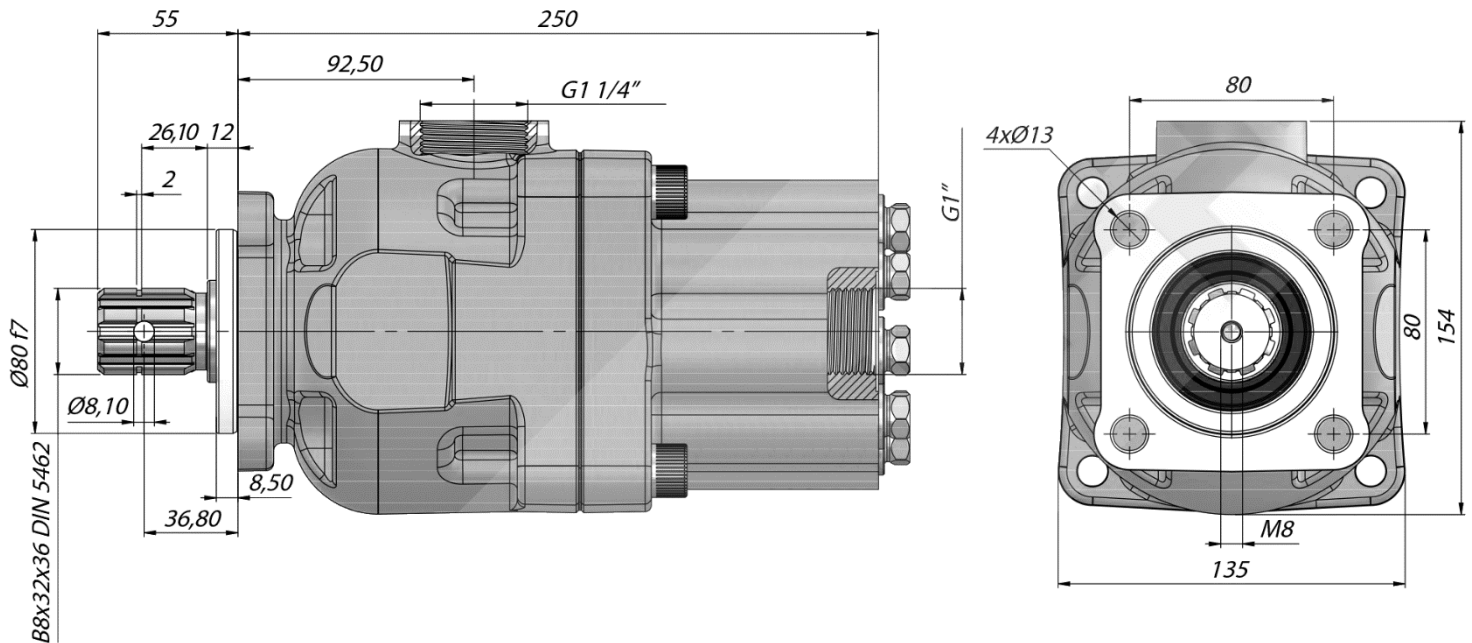


## DATASHEET – DIMENSIONS



<b>Weight:</b>	60,23 L/min
<b>Flow:</b>	19 kg
<b>Max. constant pressure:</b>	270 bar
<b>Max. intermittent pressure (20 sec):</b>	285 bar
<b>Max. current pressure (6 sec):</b>	300 bar
<b>Max. constant revolutions:</b>	1500 rpm
<b>Min. revolutions:</b>	300 rpm
<b>Suction thread:</b>	1 1/4"
<b>Pressure thread:</b>	1"
<b>Direction of rotation:</b>	DA
<b>Number of pistons:</b>	9